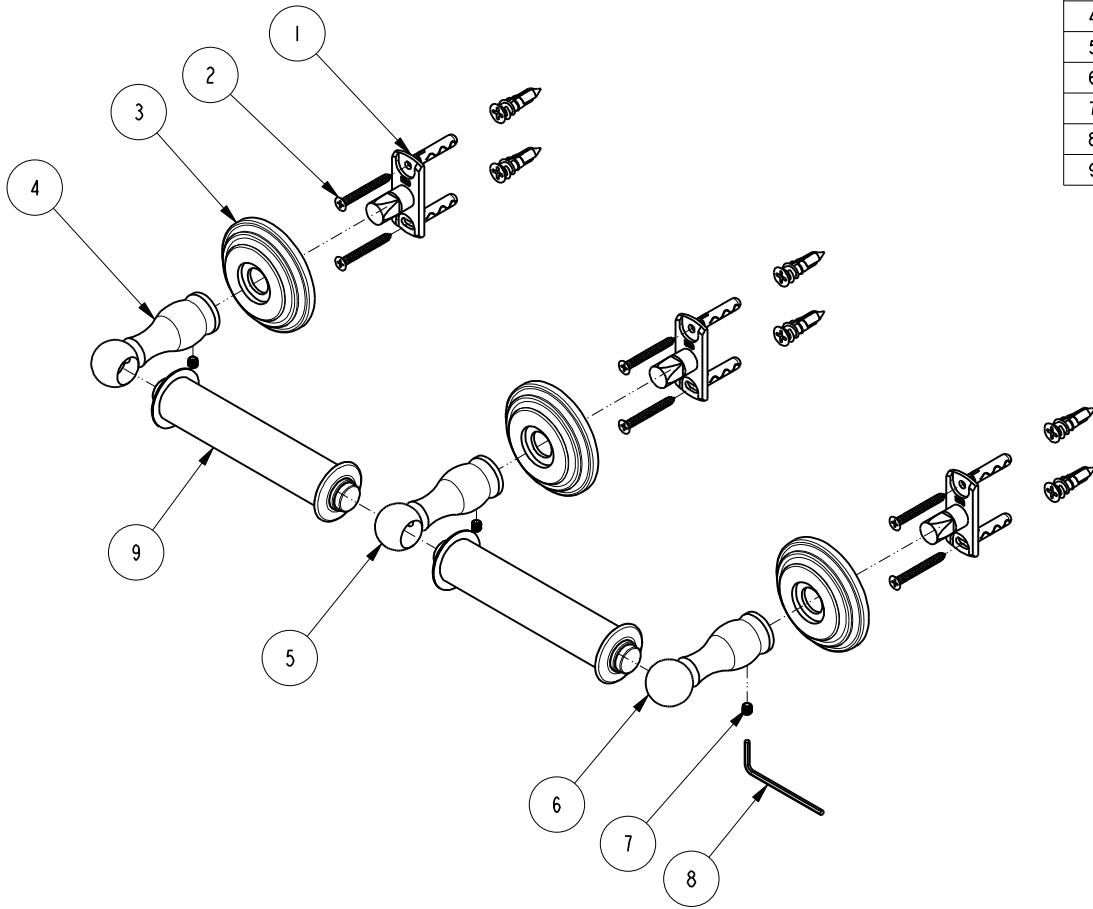


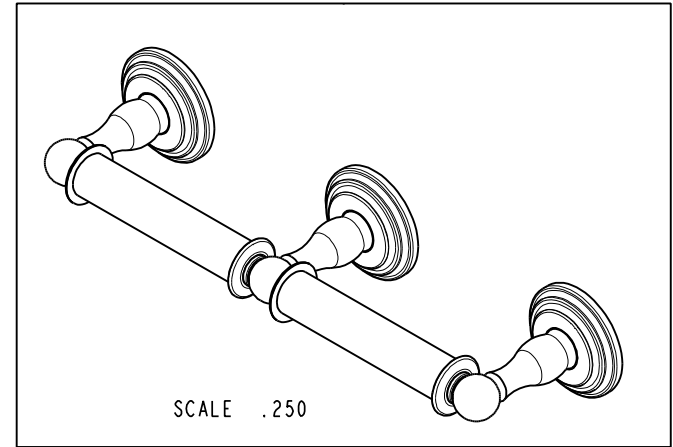
NOTES:

1. TO INSPECT ASSEMBLY, FOLLOW FIRST ARTICLE AND IN PROCESS INSPECTION SHEET.



BILL OF MATERIAL (CURRENT LEVEL)

ITEM	PT/ASSY	DESCRIPTION	TYPE	QTY.
1	11XXD	SOLID MOUNTING BRACKET	PART	3
2	1-206	HARDWARE PACK	ASSEMBLY	3
3	1100C	TOWEL SHELF ROSETTE	PART	3
4	40760	TISSUE POST - LEFT	PART	1
5	40873	TISSUE POST - CENTER	PART	1
6	40761	TISSUE POST - RIGHT	PART	1
7	92308	SCRW, M5 X 5 SKT HD CUP PT W/ SELF LOC SS	PART	3
8	10888	HEX KEY, 2.5MM ALLOY STEEL	PART	1
9	1108TN	TOILET TISSUE ROLLER	ASSEMBLY	2



COPYRIGHT 2005 BRASSTECH, INC. THESE DRAWINGS AND THE DESIGNS DEPICTED HEREIN ARE THE PROPRIETARY PROPERTY OF BRASSTECH. ANY USE OR REPRODUCTION IS SUBJECT TO THE EXPRESS APPROVAL OF BRASSTECH. UNAUTHORIZED USE IS STRICTLY PROHIBITED. ALL RIGHTS RESERVED.

TESTING	-	-	-
ASSEMBLY	-	-	-
PLATING	-	-	-
POLISHING	-	NEXT ASSY	USED ON
MACHINING	-	APPLICATION	
TOOLING FIXTURE #	REMOVE ALL BURRS AND SHARP EDGES		

UNITS ARE: INCHES [MM]		
TOLERANCES ARE:		
FRACTIONS	DECIMALS	ANGLES
±1/16"	.X ±.1 [2.5]	±°
	.XX ±.06 [1.5]	
(X.XXX) DENOTES CRITICAL DIMS.		
ALL THREADS ARE CRITICAL		
DRAWN	JINSON	07/15/21
CHECKED	R.S.	07/15/21
APPROVED	R.S.	07/15/21

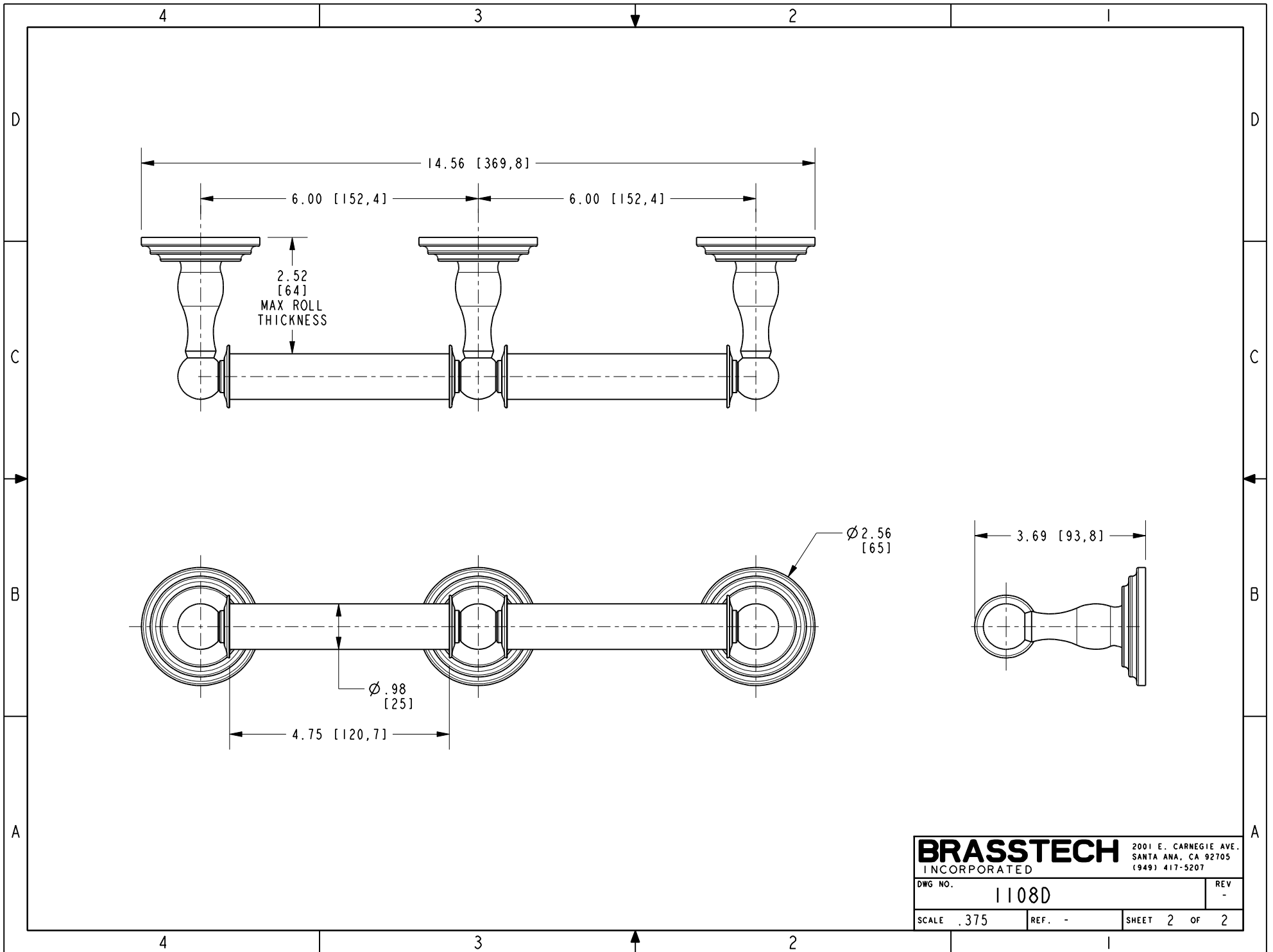
BRASSTECH 2001 CARNEGIE AVE.
INCORPORATED SANTA ANA, CA 92705
(949) 417-5207

DOUBLE TOILET TISSUE HOLDER

DWG NO. **1108D** REV -

SCALE .250 REF. - SHEET 1 OF 2

ZONE	REV	DESCRIPTION	DATE	APPROVED
-	-	EN-4378	07/15/21	R.S.



BRASSTECH		2001 E. CARNEGIE AVE. SANTA ANA, CA 92705 (949) 417-5207
DWG NO.	1108D	REV -
SCALE .375	REF. -	SHEET 2 OF 2